



MWR30

INSTALLATION/OWNER'S MANUAL

Wired Remote Control



iplug™

Dual®



Preparation

Tools and supplies needed

You will need the following tools and supplies to complete the installation process. It is best to have all of the following before beginning the installation: Electric or cordless drill, 2 1/8" hole saw (in-dash mounting only), jigsaw, flat and phillips screwdrivers, pliers, file, wire cutters, crimoing tool, and electrical tape.

Before You Start

- Test remote terminal, with the head unit turned off, plug in the extension cable at both ends to the head unit and the remote control. Turn on the head unit and test the function of the remote control.
- Choose and prepare location, the MWR30 is designed to be mounted in a standard 2 1/8" gauge cutout. The required mounting depth will vary, but at least 2 1/2" is needed to mount the remote control. Surface mounting is also possible using the template on page 4.

NOTE: If a standard gauge cutout is not available and you use the template provided on page 4 . Be sure to check behind the panel for wiring harnesses, steering cables, hydraulic lines, fuel lines, gas tanks, etc. also check to make sure you can get behind the dash panel, bulkhead, etc. to attach the mounting bracket. Do not mount the unit where it can be submerged.

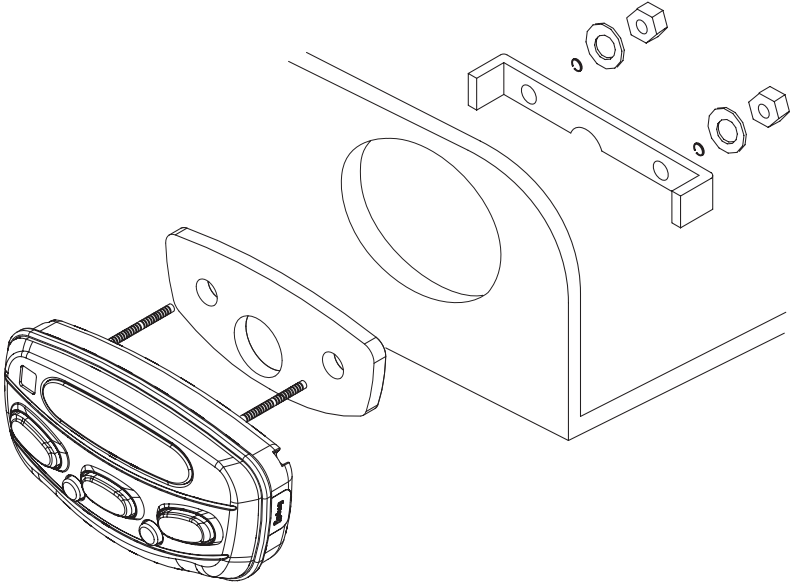
For Standard Gauge Cutout Mounting

- Attach plastic gasket to the back of remote housing and insert into gauge hole opening.
- Fasten to the aluminum mounting bracket with the included hardware.

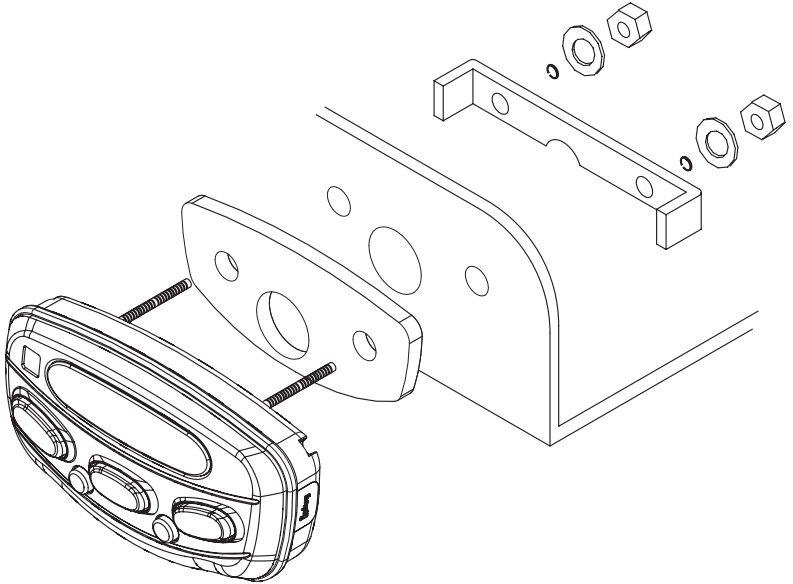
For Surface Mounting

- Create three holes using template on page 4.
- Attach plastic gasket to the back of remote housing and place insert into holes created.
- Fasten to the aluminum mounting bracket with the included hardware.

Standard Gauge Cutout Mounting

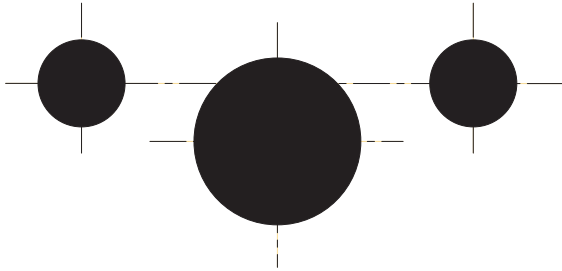


Surface Mounting



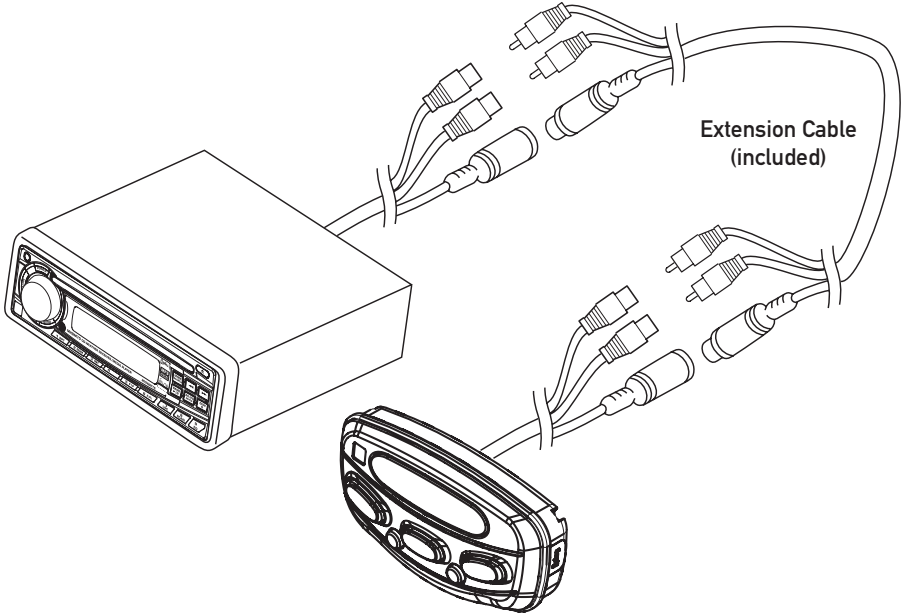


Surface Mounting Template



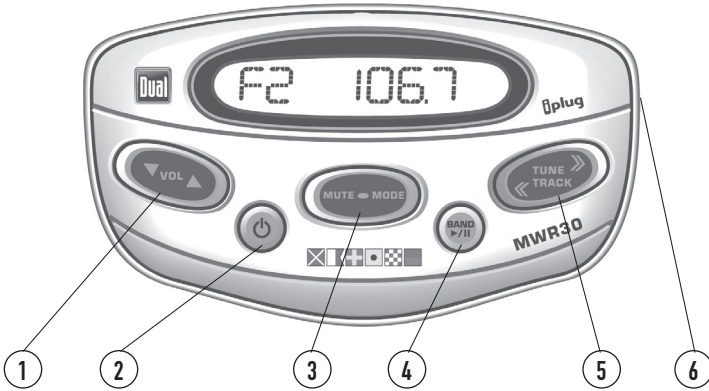
Scale: 100%

Wiring



Once the remote has been mounted, connect the cables to the remote and head unit as in the diagram above. When routing the extension cable, be sure to avoid sharp objects, corners, and places where it might get pinched, as this could affect performance and cause damage to the unit.

Control Locations



① Volume Up/Down

② Power

③ Mute/Mode

④ Band/Play/Pause

⑤ Tune/Track, Up/Down

⑥ iplug Input - connect to the output of any portable media player, etc. (not included)

General Operation

Power On/Off	Press POWER or any other button (except VOLUME ▲/▼) to turn the remote and head unit on. Press POWER to turn the unit off.
Mode	Press MODE to select one of the following modes: Tuner, Weatherband, CD, Auxiliary. The remote will only display the modes available on the radio being controlled.
Volume	Press VOLUME ▲/▼ to adjust volume up/down.
Programmable Turn-On Volume	Press and hold POWER button for 3 seconds to program currently selected volume level. "P-VOL" and the current volume level will momentarily appear in the head unit's display.



General Operation (continued)

Mute	Press MUTE to silence the audio. "MUTE" will flash in the head unit's display. Press MUTE again to cancel.
Band	Press BAND to select between FM1, FM2, FM3, AM1, and AM 2 bands in tuner mode.
Play/Pause	Press ▶/ to temporarily stop playback in CD mode. Press ▶/ again to resume playback in CD mode.
Seek Tune	Press TUNE ◀◀ or TUNE ▶▶ momentarily to seek the next strong station in tuner mode.
Manual Tune	Press TUNE ◀◀ or TUNE ▶▶ for more than 2 seconds, then release. "MANUAL" will momentarily appear in the display. Press TUNE ◀◀ or TUNE ▶▶ momentarily to move radio frequency up or down one step at a time. Press and hold to advance quickly. If tuning is not adjusted for 5 seconds, the head unit will return to seek tuning mode (default). "AUTO" will momentarily appear in the head unit's display.
Track Select	Press TRACK ▶▶ to skip to the beginning of the next track in CD mode. Press TRACK ◀◀ to return to the beginning of the current track. Pressing TRACK ◀◀ again skips to the beginning of the previous track.
WB Preset Select	Press TUNE ◀◀ or TUNE ▶▶ in weatherband mode to move weatherband frequency up or down one preset at a time.

NOTE: Reference the head unit owner's manual for additional operation instructions specific to that head unit.

Limited One Year Warranty

This warranty gives you specific legal rights. You may also have other rights which vary from state to state.

Dual Electronics Corp. warrants this product to the original purchaser to be free from defects in material and workmanship for a period of one year from the date of the original purchase.

Dual Electronics Corp. agrees, at our option, during the warranty period, to repair any defect in material or workmanship or to furnish an equal new, renewed or comparable product (whichever is deemed necessary) in exchange without charges, subject to verification of the defect or malfunction and proof of the date of purchase. Subsequent replacement products are warranted for the balance of the original warranty period.

Who is covered? This warranty is extended to the original retail purchaser for products purchased and used in the U.S.A.

What is covered? This warranty covers all defects in material and workmanship in this product. The following are not covered: installation/removal costs, damage resulting from accident, misuse, abuse, neglect, product modification, improper installation, incorrect line voltage, unauthorized repair or failure to follow instructions supplied with the product, or damage occurring during return shipment of the product.

What to do?

1. Before you call for service, check the troubleshooting guide in your owner's manual. A slight adjustment of any custom controls or connections discussed in your instruction booklet may save you a service call.
2. If you require service during the warranty period, you must carefully pack the product (preferably in the original package) and ship it by prepaid transportation with a copy of the original receipt from the retailer to an authorized service center.
3. Please describe your problem in writing and include your name, a return UPS shipping address (P.O. Box not acceptable), and a daytime phone number with your shipment.
4. For more information and for the location of the nearest authorized service center please contact us by one of the following methods:

Call us toll-free at 1-866-382-5476
E-mail us at cs@dualav.com

Exclusion of Certain Damages: This warranty is exclusive and in lieu of any and all other warranties, expressed or implied, including without limitation the implied warranties of merchantability and fitness for a particular purpose and any obligation, liability, right, claim or remedy in contract or tort, whether or not arising from the company's negligence, actual or imputed. No person or representative is authorized to assume for the company any other liability in connection with the sale of this product. In no event shall the company be liable for indirect, incidental or consequential damages.

